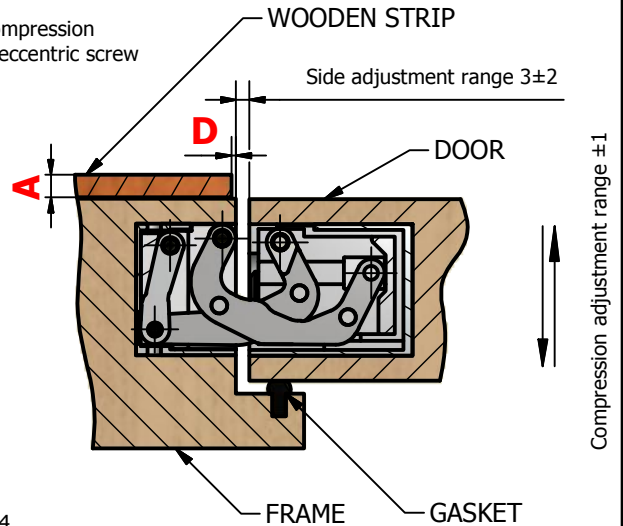
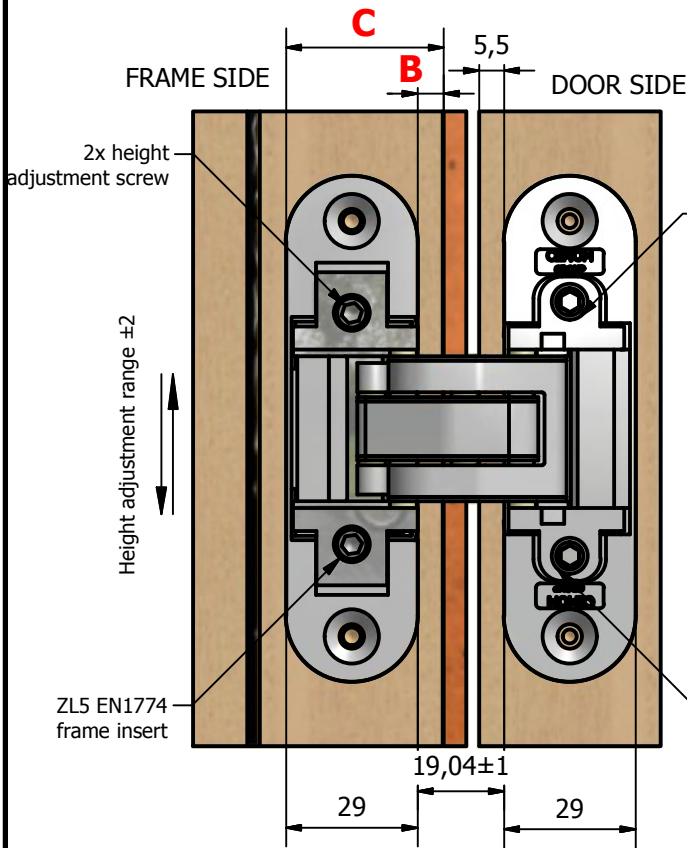
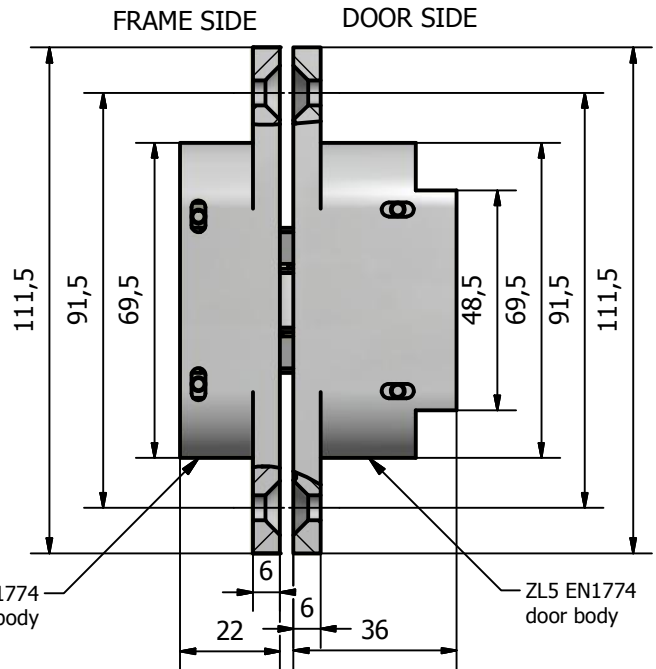
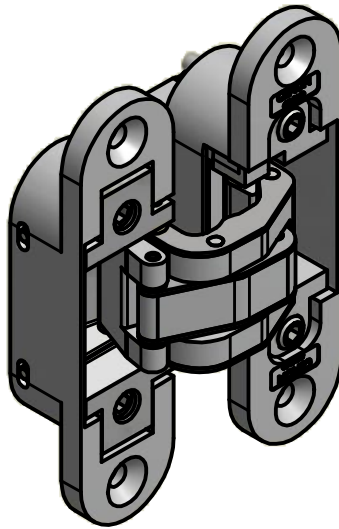


This document can be only use to execute a contract with POL-SOFT or CEMOM.
It is not allowed to copy in whole or in part, not made available to any third party.

	Angle tolerance				Length tolerance							
	Arm length	>10	>10-50	>50-120	>120-400	Section length	>3	>3-6	>6-10	>10-30	>30-120	>120
Dimension without tolerance	±1°	±30'	±20'	±10'		Dimension without tolerance	±0,1	±0,15	±0,18	±0,25	±0,35	±0,75
Toler. for approx. dimension	±4°	±2°	±1°	±30'		Toler. for approx. dimension	±0,5	±0,6	±0,75	±1,0	±1,7	±3,0

A	B	C	D
5,0	5,5	34,5	0
5,5	5,0	34,0	0
6,0	4,5	33,5	0
6,5	4,0	33,0	0
7,0	3,5	32,5	0
7,5	3,0	32,0	0
5,5	5,5	34,5	1
6,0	5,0	34,0	1
6,5	4,5	33,5	1
7,0	4,0	33,0	1
7,5	3,5	32,5	1
8,0	3,0	32,0	1
6,0	5,5	34,5	2
6,5	5,0	34,0	2
7,0	4,5	33,5	2
7,5	4,0	33,0	2
8,0	3,5	32,5	2
8,5	3,0	32,0	2



P.O.	2016-01-27	P.K.	Creation de plan
Index	Date	By	Plan changes
	Scale:	Range:	Material:
PART ID: ESTETIC 80			Weight:
			Volume:

ACC TO: **ESTETIC 80**

CEMOM *moatti* **POL SOFT**

28 Allee du plateau
93250 Villemomble
Tel. +33.1.49.35.08.54
Fax: +33.1.49.35.08.52

Pol-Soft Sp. z o.o
Dział Handlowy
Tel. 67 263 22 46
Fax: +48 67 263 30 09

Design by: P.K.

Verified by: